



Before every use, please read the Safety Instruction of the PSA-Fall protection anchorage point (PSA-YEP / PSA-INOX-YEP M12) carefully and make sure that you understand all the content.

Improper use or care of this eyebolt can result in bodily injury or property damage and eliminates any warranty!

1. Application and warning information

WARNING

Improper assembled or damaged fall protection anchorage points and inappropriate use can result in deadly injury or lead to heavy injuries when load drops. Inspect fall protection anchorage points before each use carefully!

- PSA-YEP and PSA-INOX-YEP M12 must only be used by competent and trained people with adequate knowledge.
- Long-term outdoor use of PSA-YEP M12 is not recommended since corrosion and wear of material may be aggravated by weather changes.
- To use PSA-Fall protection anchorage points, the user must be physically and psychologically healthy.
- The PSA-Fall protection anchorage points must only be loaded with the stated number of persons.
- To ensure that the users worldwide receive correct and appropriate safety information of this product, the reseller must provide the user instruction manual and repair/maintenance instruction manual for this product in the language requested by the regulations, if applicable, of the country in which the product is sold and used.

2. Intended use of PSA-YEP and PSA-INOX-YEP

- PSA-YEP and PSA-INOX-YEP M12 eyebolts are intended for use as fall arrest anchors only and not for lifting purpose. When used as the anchor points for fall protection harnesses, they (referred to also as PSA-Fall protection anchorage points hereinafter) can be permanently fixed to a structure.
- PSA-Fall protection anchorage points are not designed to be used for permanent swiveling under load, because they can turn loose when turned under load. Please observe the following WLL.

PSA-YEP M12 and PSA-INOX-YEP M12 are permissible for max.1 Person

- YOKE-YEP (lifting points) fixing points are able to take all possible occurring forces in any loading directions if used in the intended way as fall arrest protection devices.
- In consequence of the assembly method this product fulfills the requirements as described in DIN EN 795:2012-10.

Personal fall protection equipment – Type A anchor device.

Fall protection anchorage device which includes when installed, either one or multiple stationary anchor point(s) and if for their fixing at the structural facility a stationary installed anchor point or a fixing element is necessary.

3. Installation information

3.1 General information

- Capability of temperature usage:

The PSA-Fall protection anchorage points PSA-YEP and PSA-INOX-YEP M12 can be used in the temperature range between -40°C up to 280°C.

- YOKE YEP-Fall protection anchorage points must not be used in an environment that harsh chemicals such as acids, alkaline solutions and vapors are present. For further information, please refer to Chapter 2, Intended use of PSA-YEP and PSA-INOX-YEP.
- Modifications or repairing on the PSA-Fall protection anchorage points PSA-YEP and PSA-INOX-YEP M12 must be carried out by the manufacturer only.
- A plan must exist to accomplish rescue actions, including all kinds of possible emergencies occurring with the work.
- Store fall protection eyebolts in a non-corrosive and dry environment. Proper maintenance and careful handling of them are essential to ensure workplace safety.

3.2 Assembly information

1. The material of the structure onto which the PSA-Fall protection anchorage points are installed should be capable of withstanding the force applied during lifting without causing the change of shape. The minimum thread engagement lengths of the bolts recommended by the Employer's insurance association of the building industry are as follows:

- 1 x M in steel
- 1.5 x M in grey cast iron
- 2 x M in aluminum alloys
- 2.5 x M for light metals of low strength

(M = size of thread, i.e. M12, means 12 mm thread diameter)

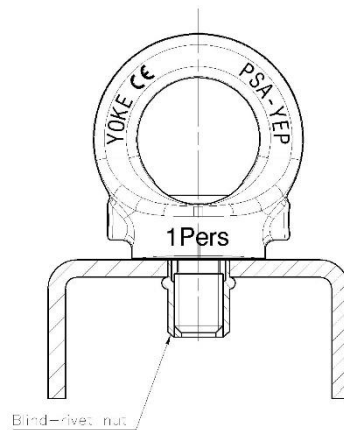
When used in light metals, nonferrous metals and grey cast iron or other materials the thread has to be chosen in such a way that the WLL of the thread corresponds to the requirements of the corresponding base material.

HINT

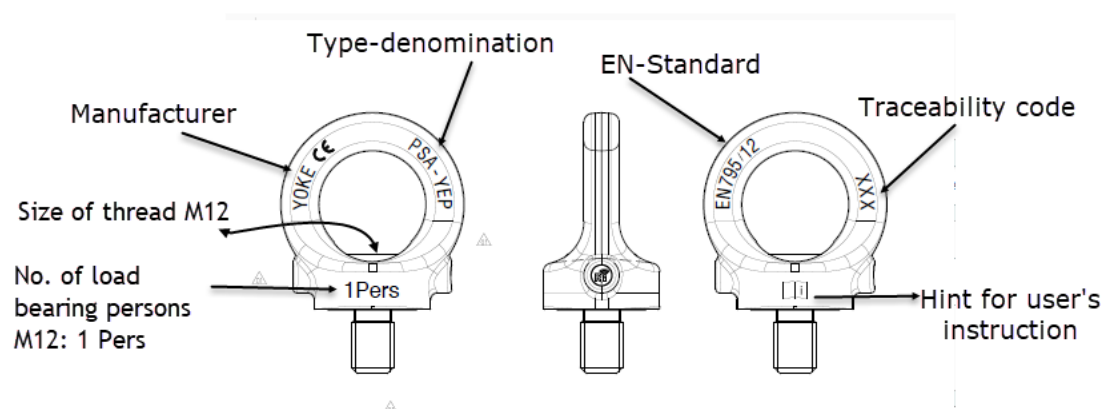
YOKE-PSA-Fall protection anchorage points are standard supplied with a thread length of 1.5 x M. Make sure that the tapped hole is providing enough depth.

2. The bolting location for the PSA-Fall protection anchorage points should be marked with paint.
3. When installing the PSA-Fall protection anchorage points, the following principles should be adopted:

- If possible, use the protection anchorage points directly above the users in order to minimize the risks of trips, falls from height and swinging after a tumble.
 - the connecting element must be free to articulate
 - the connecting element must not be loaded over edges
4. Always bolt the protection anchorage points on a flat surface. The maximum diameter of the countersunk threaded hole should be equal to the nominal diameter of the thread of screw.
 5. Drill the tapped blind holes deep enough so that the shoulder of the PSA-YEP and PSA-INOX-YEP M12 bolt sits properly on the plane surface. For holes without tapping, please refer to DIN EN20273 standard.
 6. Fixing in sectional or hollow profile steel can be carried out by using a blind-rivet nut type in steel or stainless steel. Observe the assembly instructions of the manufacturer when using a blind rivet nut.



Marking of the PSA-YEP and PSA-INOX-YEP M12



The markings are according to DIN EN 365 „Personal fall protection gear“
 – general requirements for user instructions and marking

7. PSA-YEP and PSA-INOX-YEP M12 must be able to turn by 360° around the bolt axle when its completely installed.

How to temporarily install PSA-Fall protection anchorage points:

For a temporary installation/loading at the load force transmission point, hand tightening of the bolt with an Allen key or a suitable tool (YOKE key is available), applied with normal hand force into the designed and determined thread is sufficient.

How to permanently install PSA-Fall protection anchorage points:

For an applicable permanent installation/loading at the force transmission point, the PSA-Fall protection anchorage points must be bolted in using a suitable setscrew and a torque wrench into the designed thread. The necessary clamping and fastening torque value (+10 %) can be taken out of chart 1.

It is possible to use a wrench for the usage of a torque:

| Type | tightening torque [Nm] |
|---------|------------------------|
| PSA-M12 | 10 |

Chart 1

To prevent unintended dismounting through shock loading, rotation or vibration, thread locking fluid such as LOCTITE 2701 can be used. Assembly of the PSA-YEP and PSA-INOX-YEP M12 eyebolt must only be carried out in such a way that a disassembly can only be done with suitable tools.

3.3 User information

- Inspect PSA-Fall protection anchorage device regularly before each usage in regard of tightening, corrosion, wear, deformation etc.

| WARNING |
|--|
| <i>Wrong assembled or damaged PSA-Fall protection anchorage points as well as incorrect usage may result in serious or deadly injuries. PSA-Fall protection anchorage points must be in general inspected before each usage.</i> |

- If any doubt remains regarding the safe use of PSA-Fall protection anchorage points or if the lifting device has been stressed by a dropped load, the use of the anchorages must be halted immediately for safety reasons. They should not be used before proper actions are taken by a qualified technical expert.
- The PSA-Fall protection anchorage point has to be adjustable through 360° when fitted and completely installed.

HINT

Attention: PSA-Fall protection anchorage points M12 eyebolts are not suited for permanent turning under load!

- When assembling a harness system ensure all components are compatible with the fall protection device.
- If the fall arrest anchor device is used as a part of a fall protection system, make sure the device is capable of withstanding a maximum dynamic force (i.e. the force generated when a falling load is caught) of 6kN.
- Eliminate any damage of the PSA-Fall protection anchorage point for example caused by loading on sharp edges.
- The assembly of a PSA-Fall protection anchorage point to a connecting element must be done by using connecting elements according to EN 362 (Grade B and M), which have to free moveable to all sides. Any other grades are prohibited. Exception: Grade T is allowed, depending on the shape; Carabiner hooks according to DIN 5290 are prohibited.
- For a body harness (belt type) in a fall protection system only harness belts according to EN 361 must be used.
- Hook connecting element of the selected harness system into the eye of the PSA-Fall protection anchorage point and lock the connector accordingly.
- Improper use of the product, such as for lifting, may shorten its lifetime. Proper inspection and maintenance must be made in accordance with Chapter 4, Inspection criteria.

3.4 Hints for the regular inspection

- If used under normal operational conditions, the anchorage points must be inspected serviced by a technical expert at least once a year. Additional inspections must also be made when necessary (e.g., when failures or special incidents occur)
- Please prepare an inspection plan for recording inspection result, date, qualified inspector signature, checking period, etc. and fill out the checking result carefully and detailly for every regular inspection. Keep the inspection plan until the end of the product life.

3.5 Hint for the maintenance

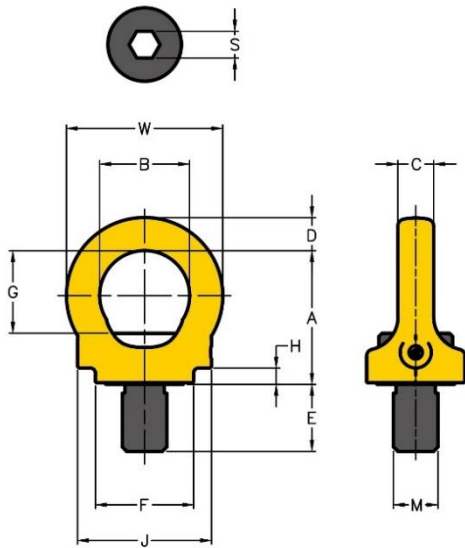
For cleaning of PSA-Fall protection anchorage point use only solvent- and acid-free cleaning supplies.

4. Inspection criteria

Observe and control the following points before each usage in regular periods, after assembly and after special incidents:

- The thread of the lifting point should be fully engaged and 100% contact with the work piece.

- The structural integrity of the PSA-Fall protection anchorage points
- Complete, readability of the Working Load Limit (WLL) and the brand of manufacturer.
- Deformation on load bearing parts like basic body and bolt. Easy turning of the ring, no loosening of parts must be ensured.
- Mechanical damage, such as dents, particularly where tensile stress can develop.
- Any signs of serious corrosion on the product
- The reduction of cross section area caused by wear is checked only if the abnormalities are visually noticeable. If so, the decrease of the cross sectional area must not be more than 10% of the original one.
- Cracks at load bearing parts
- Function and damage of bolts and threads, if it's visible
- The product identification at the PSA-Fall protection anchorage point must be highly visible
- If necessary, you can mark the component indicating the latest and next inspection date.



Metric (8-281)

| Item No. | Working Load Limit | Thread version | Dimensions(mm) | | | | | | | | | | | Torque in | | N.W. |
|-----------|--------------------|----------------|----------------|----|----|----|----|----|----|---|----|---|----|-----------|-----|------|
| | | | M | A | B | C | D | E | F | G | H | J | S | W | Nm | |
| 8-281-007 | 1 Pers | M12x1.75 | 45 | 30 | 10 | 11 | 18 | 33 | 29 | 5 | 45 | 8 | 52 | 10 | 0.2 | |

PSA-YEP

Imperial (8-281)

| Item No. | Working Load Limit | Thread version | Dimensions(inch) | | | | | | | | | | | Torque in | | N.W. |
|-----------|--------------------|----------------|------------------|-----|-----|-----|-----|-----|-----|-----|-----|-----|-----|-----------|---------|------|
| | | | M | A | B | C | D | E | F | G | H | J | S | W | ft. lbs | |
| 8-281-007 | 1 Pers | M12x1.75 | 1.8 | 1.2 | 0.4 | 0.4 | 0.7 | 1.3 | 1.1 | 0.2 | 1.8 | 0.3 | 2.0 | 7.4 | 0.4 | |

Metric (8-285) stainless steel

| Item No. | Working Load Limit | Thread version | Dimensions(mm) | | | | | | | | | | | Torque in | | N.W. |
|-----------|--------------------|----------------|----------------|----|----|----|----|----|----|---|----|---|----|-----------|-----|------|
| | | | M | A | B | C | D | E | F | G | H | J | S | W | Nm | |
| 8-285-007 | 1 Pers | M12x1.75 | 45 | 30 | 10 | 11 | 18 | 33 | 29 | 5 | 45 | 8 | 52 | 10 | 0.2 | |

PSA-INOX-YEP

Imperial (8-285) stainless steel

| Item No. | Working Load Limit | Thread version | Dimensions(inch) | | | | | | | | | | | Torque in | | N.W. |
|-----------|--------------------|----------------|------------------|-----|-----|-----|-----|-----|-----|-----|-----|-----|-----|-----------|---------|------|
| | | | M | A | B | C | D | E | F | G | H | J | S | W | ft. lbs | |
| 8-285-007 | 1 Pers | M12x1.75 | 1.8 | 1.2 | 0.4 | 0.4 | 0.7 | 1.3 | 1.1 | 0.2 | 1.8 | 0.3 | 2.0 | 7.4 | 0.4 | |